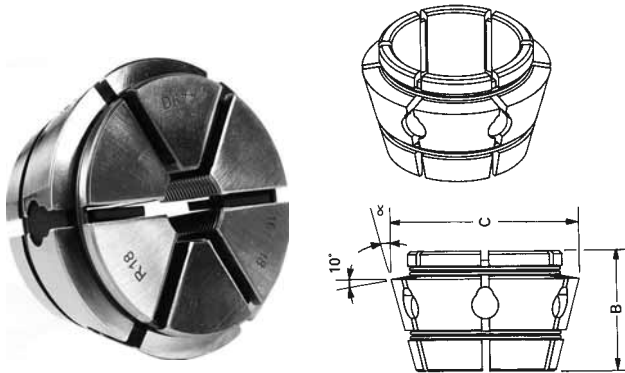


**Multibore Collets**



**DIN 6343**

Multibore Collets offers a large gripping range, without sacrificing accuracy.

**SPECIFICATIONS**

TYPE	RANGE (mm)	B(mm)	C Ø (mm)	∞
M-673	4 to 42mm	39.0	61.5	14.75°
M-677	4 to 60mm	45.0	85.5	14.75°

Example part number: M677R18 for M677 multibore collet  
Size range: 16mm - 18mm round.

Part Number	Capacity (mm)	Capacity (mm)																												
		4 to 6	6 to 8	8 to 10	10 to 12	12 to 14	14 to 16	16 to 18	18 to 20	20 to 22	22 to 24	24 to 26	26 to 28	28 to 30	30 to 32	32 to 34	34 to 36	36 to 38	38 to 40	40 to 42	42 to 44	44 to 46	46 to 48	48 to 50	50 to 52	52 to 54	54 to 56	56 to 58	58 to 60	
M-673	Round	★	■	■	■	■	■	■	■	■	■	■	■	■	■	■	■	■	■	■	■	■	■	■	■	■	■	■	■	★
	Hex	★	★	★	★	★	★	★	★	★	★	★	★	★	★	★	★	★	★	★	★	★	★	★	★	★	★	★	★	★
	Square	★	★	★	★	★	★	★	★	★	★	★	★	★	★	★	★	★	★	★	★	★	★	★	★	★	★	★	★	★
M-677	Round	★	■	■	■	■	■	■	■	■	■	■	■	■	■	■	■	■	■	■	■	■	■	■	■	■	■	■	■	★
	Hex	★	★	★	★	★	★	★	★	★	★	★	★	★	★	★	★	★	★	★	★	★	★	★	★	★	★	★	★	★
	Square	★	★	★	★	★	★	★	★	★	★	★	★	★	★	★	★	★	★	★	★	★	★	★	★	★	★	★	★	★

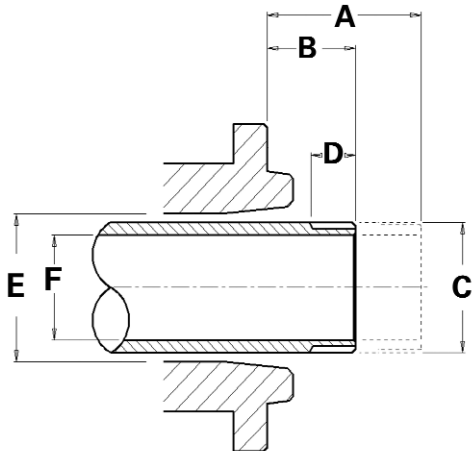
- Collet supplied with Spiral Serrations as standard
- ★ Collet supplied with plain bore only



**Dimac stock metric round sizes and popular hexagon sizes.**  
**Spring Collets also available.**

**Drawnut Data Sheet**

In order to match your new chuck to an existing drawtube, it is often required to customize the drawnut to suit the stroke and bore. Please fill in the data so Dimac can carry out this service.



- A. Max Projection of Drawtube from flange face\* \_\_\_\_\_
- B. Min Projection of Drawtube from flange face\* \_\_\_\_\_
- C. Thread dia, form and pitch, state L.H and/or if internal \_\_\_\_\_
- D. Length of full thread \_\_\_\_\_
- E. Spindle Bore Dia, if taper, state \_\_\_\_\_
- F. DrawTube Internal Dia. \_\_\_\_\_

\*Note: If drawtube end is within spindle bore, then specify A & B dimensions as negative values.