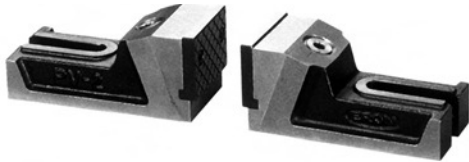
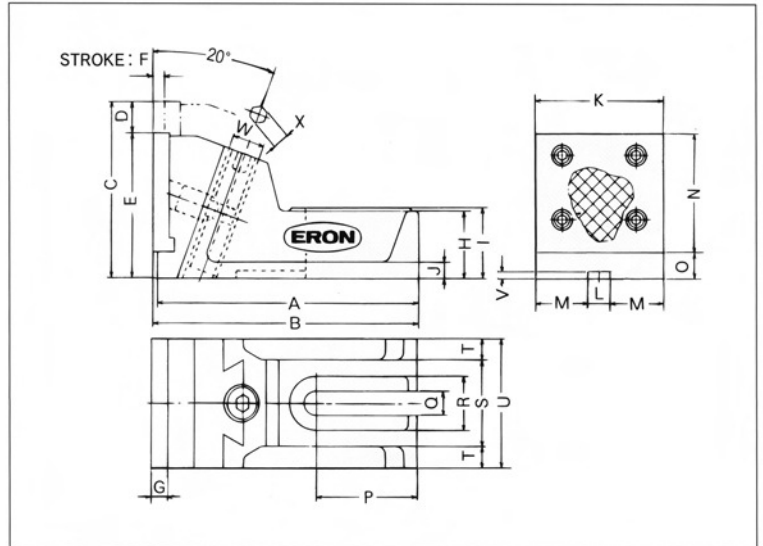


ERON Precision Vices & Accessories



PULL DOWN FREE VICES

Supplied as a pair pieces, these vices provide a practical device for clamping lengthy workpieces on the work table of machine tools such as milling machines, boring machines and even large planing machines, the two jaw blocks being set at any required distance with respect to each other..... free jaw opening.

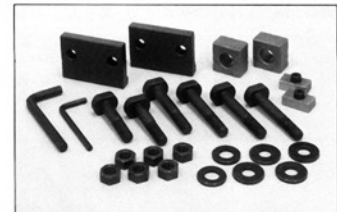


STANDARD PARTS

STOCK NO.	Key blocks (1 set=2pcs)	Serrated jaw plate	T-slot bolts	Hex.Nuts	Washers	Stopper blocks	Hex.bolts	Hex.Key
PV-0	-	2	-	-	2	-	2	1
PV-1	-	2	4	4	4	-	-	1
PV-2	1	2	6	6	6	2	-	1
PV-3	1	2	6	6	6	2	-	1



For PV-1



For PV-2, PV-3

SIZE

STOCK NO.	A	B	C	D	E	F	G	H	I	J	K	L	M	N	O	P	Q	R	S	T	U	V	W	X
PV-0	70	73	50	8	42	3	9	21	23	5	46	-	-	30	12	9	13.5	25	36	5	46	-	Tr18P2	6
PV-1	127	130	64	8	56	3	10	30	32	7	62	-	-	40	16	51	15	32	48	7	62	-	Tr22P4	8
PV-2	180	186	102	20	82	7	12	40	43	12	85	16	34.5	60	22	73	19	40	65	10	85	5	Tr28P4	10
PV-3	245	250	164	29	135	10.5	15	70	73	15	120	20	49	110	25	95	22	50	80	20	120	6	Tr30P6	14

SPEC

STOCK NO.	Jaw Width	Min.Height	Max.Height	Set bolt	Weight(kgs)	Available T-slot size	Key block
PV-0	46	42	50	M12	1.5	-	-
PV-1	62	56	64	M14	4.8	16	-
PV-2	85	82	102	M14	12.5	16-18	16
PV-3	120	135	164	M18	39.1	20-22	20

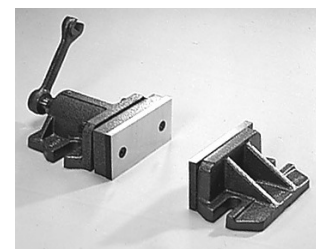
ERON Two Piece Vice

TWO PIECE VICES

A machine vice of the highest flexibility in clamping extra long work. Two piece construction, one fixed jaw block and

one adjustable jaw block, both to be bolted to machine table at any distance to suit work.

STOCK NO.	Width of Jaws mm	Depth of Jaws	Key Slot Width	T-Slot Centre Distance	Clamp Travel	Weight
TP-6	154	74	1.6	54-70	12	13.3
TP-8	204	81	102	54-80	12	18.6



Two-Piece Vices

