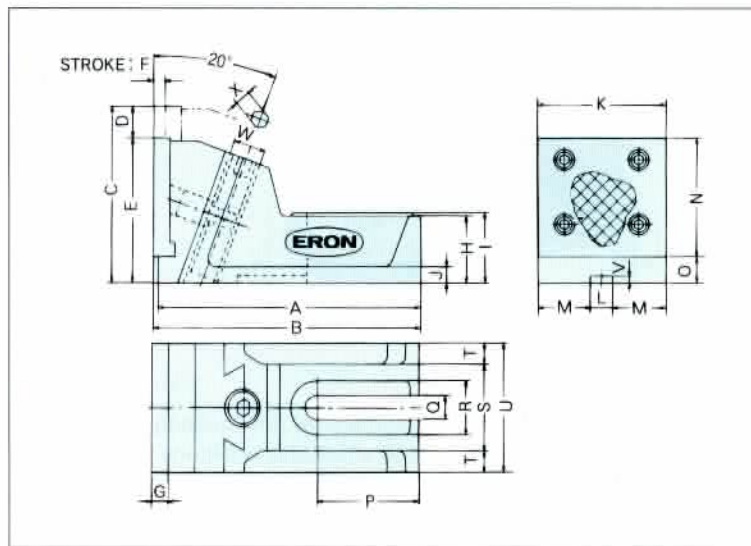




## USAGE



## STANDARD PARTS

	Key blocks (1set=2pcs)	Serrated jaw plate	T-slot bolts	Hex.Nuts	Washers	Stopper blocks	Hex.bolts	Hex.Key
PV-0	-	2	-	-	2	-	2	1
PV-1	-	2	4	4	4	-	-	1
PV-2	1	2	6	6	6	2	-	1
PV-3	1	2	6	6	6	2	-	1



For PV-1



For PV-2, PV-3

## FEATURES

- Can be used when user needs bigger opening which can not be covered by ordinary machine vises.
- Made of ductile iron and unbreakable.
- Can clamp the workpiece down to the table.

## SIZE

No.	A	B	C	D	E	F	G	H	I	J	K	L	M	N	O	P	Q	R	S	T	U	V	W	X
PV-0	70	73	50	8	42	3	9	21	23	5	46	-	-	30	12	9	13.5	25	36	5	46	-	Tr18P2	6
PV-1	127	130	64	8	56	3	10	30	32	7	62	-	-	40	16	51	15	32	48	7	62	-	Tr22P4	8
PV-2	180	186	102	20	82	7	12	40	43	12	85	16	34.5	60	22	73	19	40	65	10	85	5	Tr28P4	10
PV-3	245	250	164	29	135	10.5	15	70	73	15	120	20	49	110	25	95	22	50	80	20	120	6	Tr30P6	14

## SPEC

No.	Jaw Width	Min.Height	Max.Height	Set bolt	Weight(kgs)	Available T-slot size	Key block
PV-0	46	42	50	M12	1.5	-	-
PV-1	62	56	64	M14	4.8	16	-
PV-2	85	82	102	M14	12.5	16-18	16
PV-3	120	135	164	M18	39.1	20-22	20