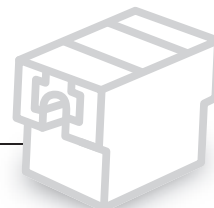


KPGT2 series

Gripper innovation! **promano**

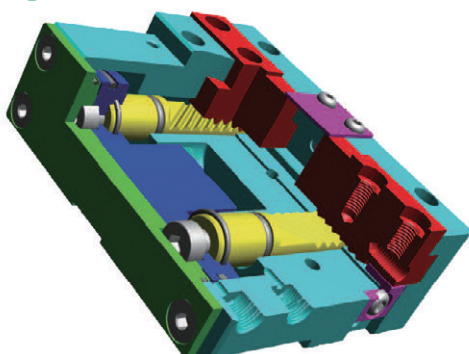


2-Jaw Parallel Gripper with Low Profile Body

High specification series

Features

- Low profile body and high gripping force
- Multiple variations and jaw options available
- High repeatability and Long operating life



How to Order

K P G T 2 0 8 N B

Series ※1	
KPGT2	NBR seals
FPGT2	FKM seals

Size		
08	10	12
16	20	30

Safety device ※2	
N	Without device
C	For external gripping

Proximity Switch Bracket ※3	
N	Without bracket
B	With brackets

Notes

- 1 Operating temperature for FKM seals is same as for NBR seals.
- 2 The safety device will ensure a minimum gripping force is maintained via a mechanical mechanism if there is a loss of pneumatic pressure.
- 3 Proximity Switch Bracket attaches the proximity switch on the body for confirmation of jaw opening / closing. Choosing option "B" means "with brackets", 1 set of brackets (1 opening side and 1 closing side) is supplied. In case that reed switches are needed, they can be attached on the switch housing on the external body. Proximity switches and reed switches can be chosen referring to the "Switch Compatibility Table" on page 53.

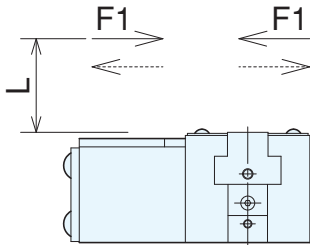
Specifications

Model	Jaw Stroke (diameter) (mm)	Gripping Force (F) *1			Repeatability (mm)	Net Weight (kg)	Air Consumption (dl/reciprocating)	Air Pressure*2 (MPa)	Air purge (MPa)	Operating Temperature (°C)
		Measured Distance (mm)	External Gripping (N)	Internal Gripping (N)						
KPGT208	16	10	650	520	0.01	0.8	28	0.3~1.2	0.05~0.1	5~60
KPGT210	20	10	1010	840		1.35				
KPGT212	26	20	1620	1360		2.3				
KPGT216	32	20	2600	2180		4.2				
KPGT220	40	20	4040	3540		8				
KPGT230	60	20	8100	7460		22				

*1At Air Pressure 0.6MPa

*2WITHOUT Safety Device. Please refer to the specification table of Option - Safety Device for Air Pressure WITH Safety Device.

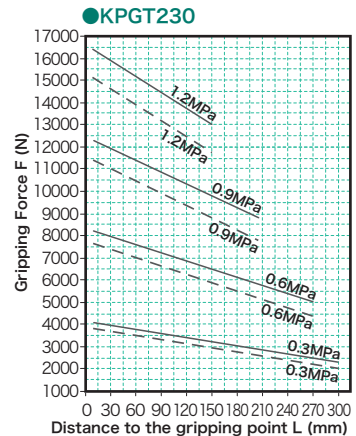
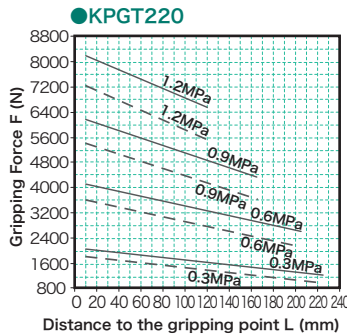
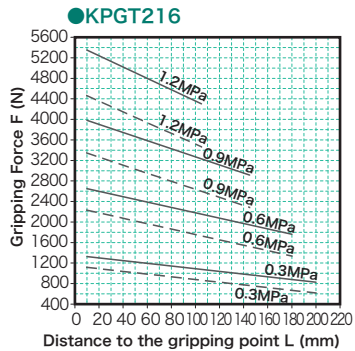
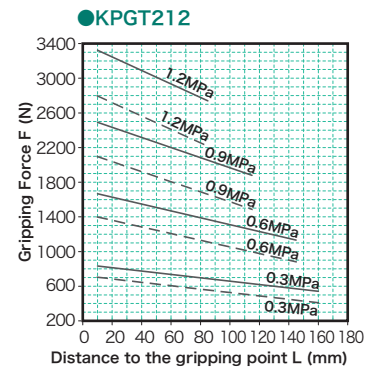
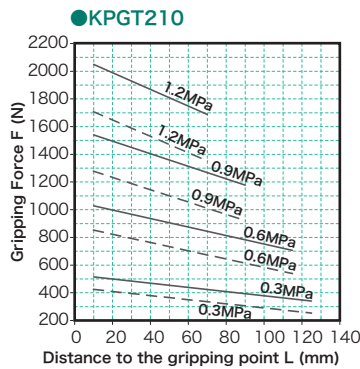
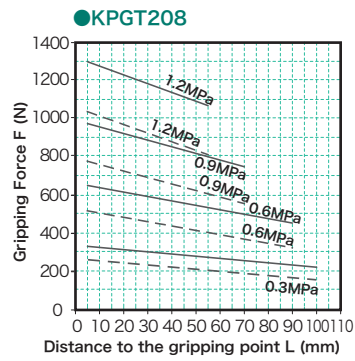
Gripping Characteristic Graph



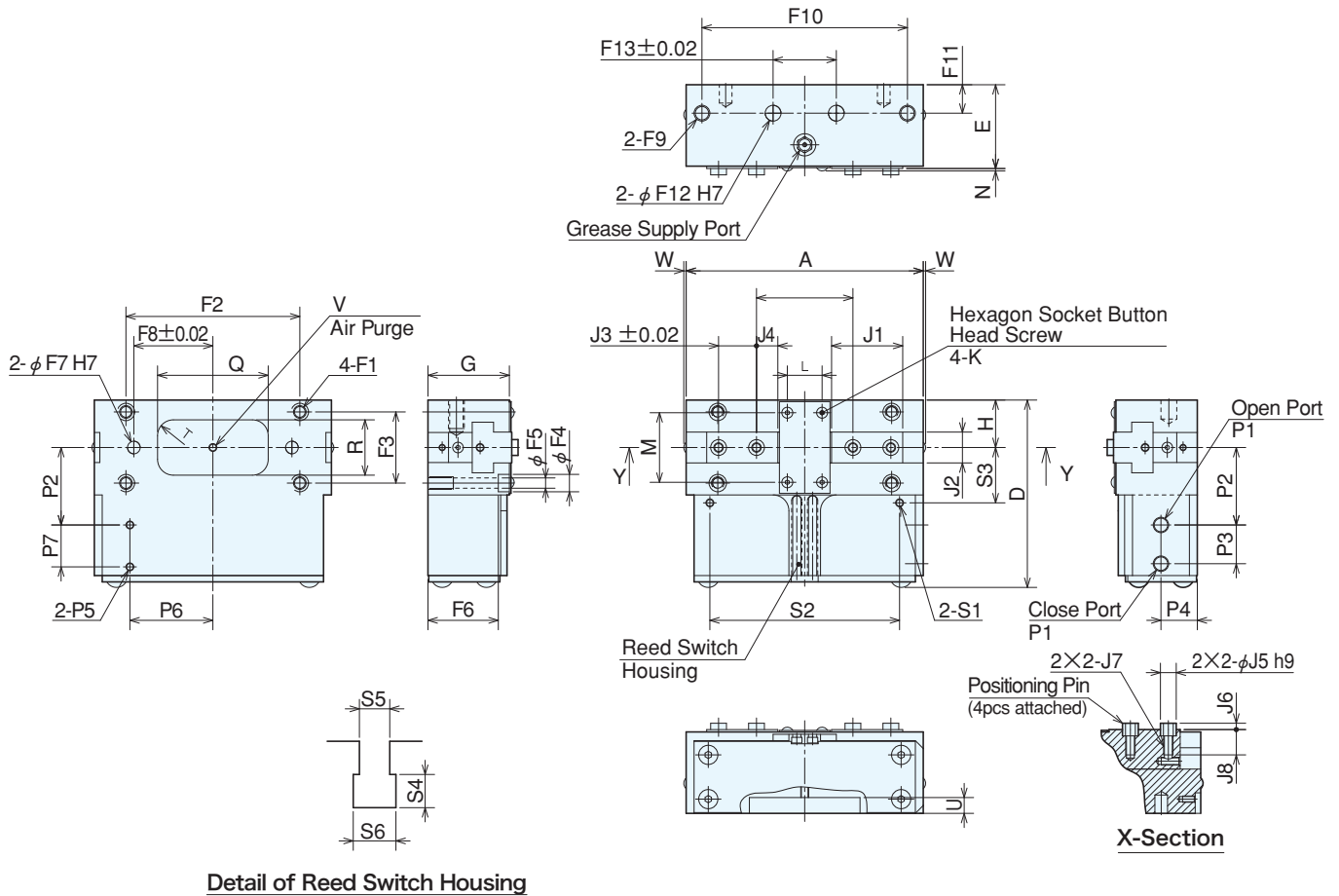
..... Internal Gripping
 ——— External Gripping

The gripping force "F" shows the actual measured value per jaw "F1" × the number of jaws. (F=F1 × 2)

The point to be measured gripping force



■ Dimensional Drawings



■ Dimensions

Model	Outline Dimensions																
	A	B	C	D	E	G	H	K	L	M	N	Q	R	T	U	V	W
KPGT208	98	37	53	83.5	39	37.5	21	M4	11	30	1.5	40	25	R8	7	M5	1
KPGT210	120	47	67	96.5	45	43.5	25	M4	15	34	1.5	50	30	R10	9	M5	1.5
KPGT212	150	61	87	118.5	53	51.5	30	M4	22	44	1.5	70	35	R10	10	M5	1.5
KPGT216	190	77	109	141.5	63	61.5	36	M5	28	56	2	90	40	R12.5	12	G1/8	1.5
KPGT220	235	86	126	175	77	75	50	M5	36	74	1.5	110	45	R15	14	G1/8	1
KPGT230	330	135	195	242	102	100	70	M5	55	115	2	150	60	R20	20	G1/8	1

Model	Dimensions of Jaw Mounting							
	J1	J2	J3 (±0.02)	J4	J5 Diameter (h9)	J6	J7 Diameter	J8
KPGT208	30	12.5	16	7.5	φ 8	3	M5	11
KPGT210	37	16.5	20	10.5	φ 10	4	M6	13
KPGT212	45	19.5	24	13.5	φ 10	4	M6	13
KPGT216	58	22.5	32	17.5	φ 14	5	M10	20
KPGT220	72.5	30.5	40	18	φ 16	5	M12	23
KPGT230	99	40.5	46	31.5	φ 22	8	M16	32

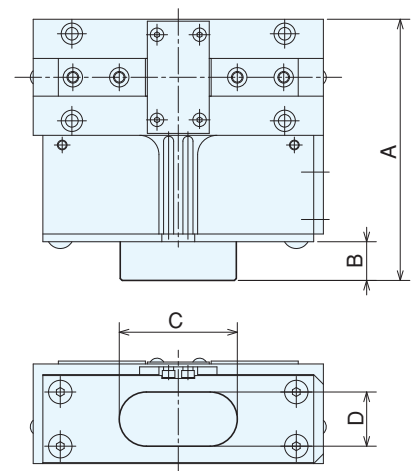
Model	Dimensions of Body Fixed Part																
	F1		F2	F3	F4	F5	F6	F7		F8 (±0.02)	F9		F10	F11	F12		F13 (±0.02)
	Diameter	Depth					Diameter (H7)	Depth		Diameter	Depth			Diameter (H7)	Depth		
KPGT208	M5	8	72	32	φ 8	φ 4.2	32	φ 5	8	32.5	M6	9	86	12.5	φ 6	8	22
KPGT210	M6	9	86	38	φ 9	φ 5.2	37.5	φ 6	10	40	M8	12	102	15	φ 8	10	32
KPGT212	M8	12	110	45	φ 11	φ 6.5	44.5	φ 8	11	50	M10	15	130	18	φ 10	12	40
KPGT216	M10	15	140	55	φ 14	φ 8.5	53	φ 10	12	65	M12	18	165	22	φ 12	14	50
KPGT220	M12	18	170	70	φ 17	φ 10.5	64	φ 12	12	80	M12	18	200	28	φ 12	14	70
KPGT230	M16	24	230	96	φ 19	φ 13	88	φ 16	15	110	M16	24	280	40	φ 16	18	100

Model	Dimensions of Air Supplying Part							Dimensions of Switch Attaching Part					
	P1 Diameter	P2	P3	P4	P5 Diameter	P6	P7	Proximity Switch			Reed Switch		
								S1	S2	S3	S4	S5	S6
KPGT208	G1/8	34.5	17.5	15.5	M3	32.5	20	M4	78	25	3.6	5.2	6.5
KPGT210	G1/8	39.5	20	18.5	M3	41.5	22.5	M5	96	30	3.6	5.2	6.5
KPGT212	G1/8	49	24.5	23	M5	52.5	26.5	M5	120	35	3.6	5.2	6.5
KPGT216	G1/4	57	29	28.5	M5	66.5	32.5	M6	154	42	3.6	5.2	6.5
KPGT220	G1/4	68	35.5	35	M6	84	38	M6	191	56	3.6	5.2	6.5
KPGT230	G1/4	95.5	52	49	M8	120	53	M6	266	76	3.6	5.2	6.5

Option

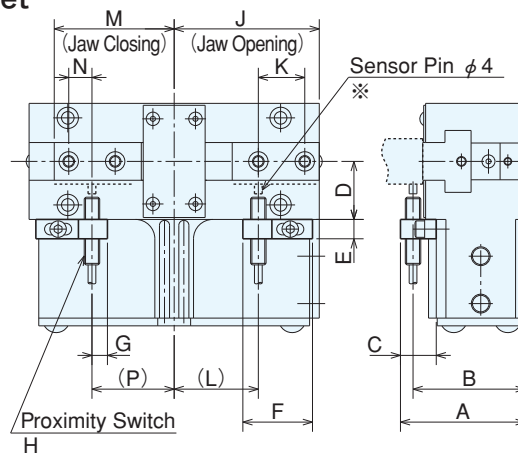
Safety Device

Model	Specifications				Outline Dimensions			
	Measured Distance L (mm)	Gripping Force Spring Force (N)	Net Weight (kg)	Air Pressure (Mpa)	A	B	C	D
KPGT208C	10	156~226	0.82		83.5	-	-	-
KPGT210C	10	204~420	1.38		96.5	-	-	-
KPGT212C	20	280~624	2.36	0.4~0.8	118.5	-	-	-
KPGT216C	20	428~974	4.35		141.5	-	-	-
KPGT220C	20	844~1200	8.40		190	15.5	92	40
KPGT230C	20	1336~2484	22.20		255	14	140	60



Safety Device

Proximity Switch Bracket



Attaching Proximity Switch

Model	Outline Dimensions													
	A	B	C	D	E	F	G	H	J Jaw Opening	K	L	M Jaw Closing	N	P
KPGT208※B	50.5	44	19.5	21	8	27	8	M8×1	49	16	(26.5)	41	8	(26.5)
KPGT210※B	56.5	50	19.5	25	10	33	8	M8×1	60	20	(33.5)	50	10	(33.5)
KPGT212※B	64.5	58	18.5	30	10	36	8	M8×1	75	24	(43.5)	62	12	(42.5)
KPGT216※B	74.5	68	17.5	36	12	42.5	8	M8×1	95	32	(54.5)	79	16	(54.5)
KPGT220※B	88.5	82	18.5	50	12	52.5	8	M8×1	117.5	40	(63.0)	97.5	20	(63.0)
KPGT230※B	113.5	107	15.5	70	12	67.5	8	M8×1	165	46	(97.5)	135	23	(90.5)

※Sensor pins will be prepared by the customer.