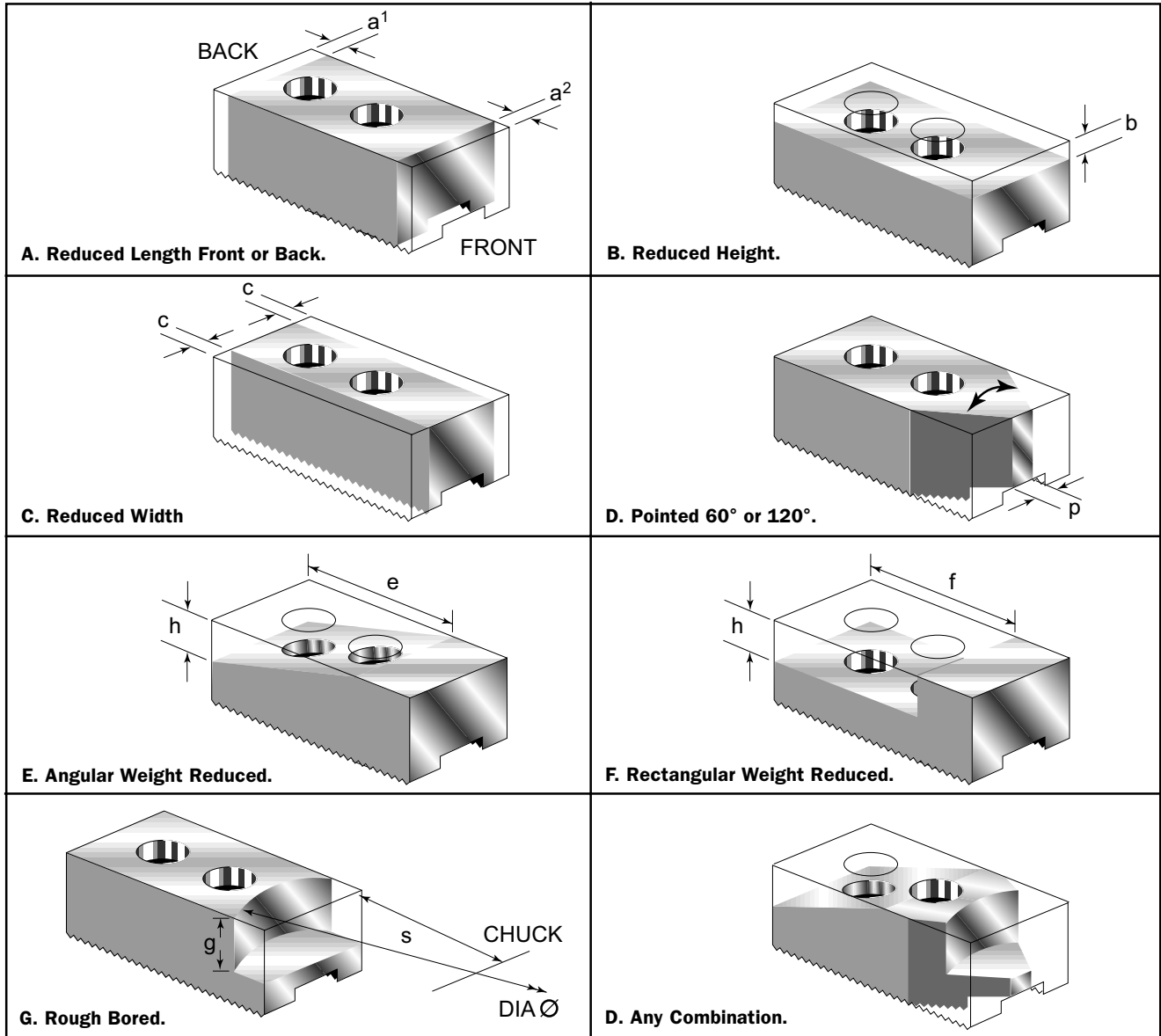


SOFT JAW MODIFICATION SERVICE



PLEASE GIVE THE FOLLOWING INFORMATION :

1. QUANTITY REQUIRED.
2. DIMAC STANDARD JAW PART NO.
3. MODIFICATIONS REQUIRED.
4. RELEVANT MODIFICATION DIMENSIONS.

A. Reduced Length	a1		E. Angular Weight Reduced	e	
	a2			h	
B. Reduced Height	b		F. Rectangular Weight reduced	f	
C. Reduced Width	c			h	
D. Pointed	60° or 120°		G. Rough Bored <i>(allowance left for final turning on your lathe)</i>	g	
				s	
				dia Ø	

**ANY STANDARD DIMAC SOFT JAW CAN BE MODIFIED ON REQUEST – QUICK DELIVERY – ECONOMICAL SERVICE
– SAVE TIME AND MONEY, LET DIMAC PREPARE YOUR JAWS FOR INSTANT USE.**